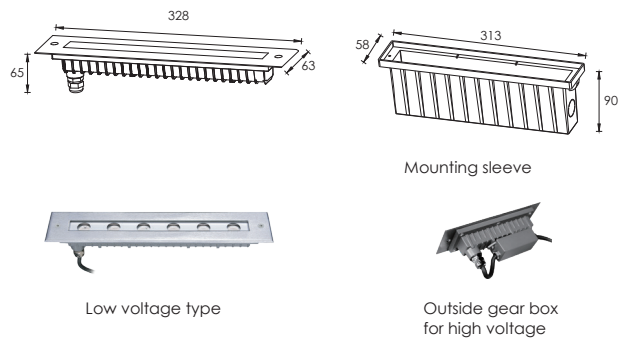


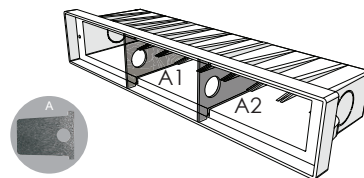
INGROUND LINEAR RECESSED LIGHT



Outer Dimensions Unit:mm



Mounting sleeve characteristic

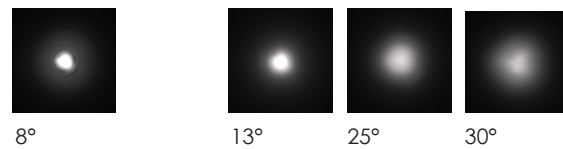


Product Specifications

Material	12# Die-casting dark grey powder coated aluminum.T=60-80μm
Front cover	Hard chrome-plated stainless steel SUS 316L#
Light Window	Tempered frosted step glass.T=8mm
Cable gland	IP68 PG-9 PA66
Glass pressure capacity	Full area=3251kgs
Gasket	Molding shaped silicone seal
LED Driver	Constant Voltage Input,Constant Current Output
LED	OSRAM or NICHIA
Operating temperature	-20°C - 40°C
Power Cable	H05RN-F 2X1.0mm ² L=0.5m(low voltage) H05RN-F 3X1.0mm ² L=0.5m(high voltage)
Mounting sleeve	ABS
Dimmable Support	Triac PWM 1-10V Dali
Warranty	3 years against manufacturing defect

- The above picture – the supporting plate "A1" and "A2" are used for preventing deformation of the sleeve during the construction installation process.
- Please remove the supporting plate "A1" and "A2" from the mounting sleeve before the lamp installation.

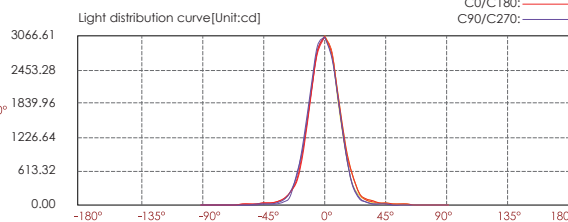
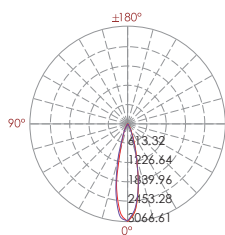
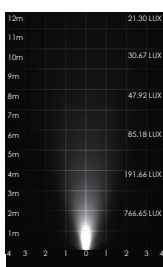
Lens



LED Colour Temperature

- 2000K
- 3000K
- 6000K

Model No.	Power (W)	Beam angle	Input voltage(V)	Typical operating current(mA)	Typical consumption(W)	Typical luminance(lm)	IP Rating
LMT-IG-LNR-004	6×2Watts	25°	24V DC/ 120/240 AC	24V = 550 120V = 100 240V = 57	24V = 13.2 120V = 11.8 240V = 12.1	Cool white = 1100 Warm white = 733	IP 67



Distance (m)	Center beam LUX	Beam width (V x H)
2m	766.65 LUX	0.9m x 0.9m
4m	191.66 LUX	1.8m x 1.8m
6m	85.18 LUX	2.7m x 2.6m
8m	47.92 LUX	3.6m x 3.5m
10m	30.67 LUX	4.5m x 4.4m
12m	21.30 LUX	5.4m x 5.3m

Ver.Spread:25.3 Horiz.Spread:24.8

