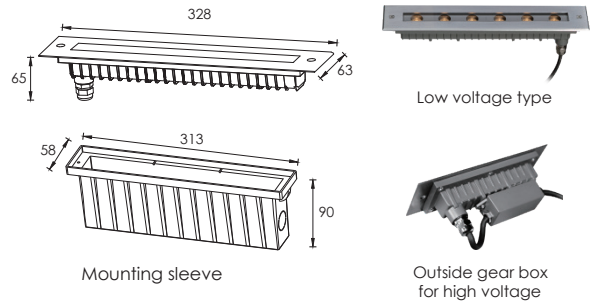


INGROUND LINEAR RECESSED LIGHT

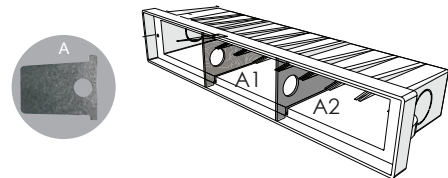
Asymmetrical



Outer Dimensions Unit:mm



Mounting sleeve characteristic



- 1.The above picture – the supporting plate “A1” and “A2” are used for preventing deformation of the sleeve during the construction installation process.
- 2.Please remove the supporting plate “A1” and “A2” from the mounting sleeve before the lamp installation.

Product Specifications

| | |
|-------------------------|---|
| Material | 12# Die-casting dark grey powder coated aluminum.T=60-80µm |
| Front cover | Hard chromeplated stainless steel SUS 316L# |
| Light Window | Tempered frosted step glass.T=8mm |
| Cable gland | IP68 PG-9 PA66 |
| Glass pressure capacity | Full area=3251kgs |
| Gasket | Molding shaped silicone seal |
| LED Driver | Constant Voltage Input,Constant Current Output |
| Operating temperature | -20°C - 40°C |
| Power Cable | H05RN-F 2X1.0mm ² L=0.5m(low voltage) H05RN-F 3X1.0mm ² L=0.5m(high voltage) |
| Mounting sleeve | ABS |
| Dimmable Support | Triac PWM 1-10V Dali |
| Warranty | 3 years against manufacturing defect |

Lens

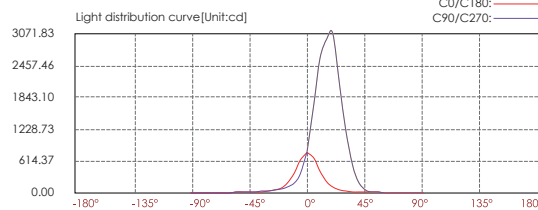
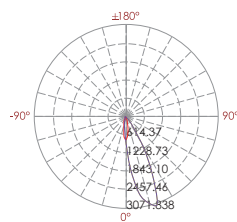
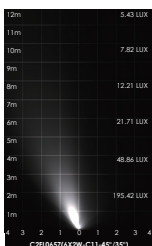


45°
35°

LED Colour Temperature

- 2000K
- 3000K
- 6000K

| Model No. | Power (W) | Beam angle | Input voltage(V) | Typical operating current(mA) | Typical consumption(W) | Typical luminance(lm) | IP Rating |
|----------------|-----------|------------|------------------------|--------------------------------------|--|------------------------------------|-----------|
| LMT-IG-LNR-005 | 6x2 Watts | 45° 35° | 24V DC/ 120/240V AC | 24V = 550 120V = 100 240V = 57 | 24V = 13.2 120V = 11.8 240V = 12.1 | Cool white =875 Warm white =570 | IP 67 |



| Distance | Center beam LUX | Beam width V | Beam width H |
|----------|-----------------|--------------|--------------|
| 2m | 195.42 LUX | 0.9m | 0.6m |
| 4m | 48.86 LUX | 1.7m | 1.3m |
| 6m | 21.71 LUX | 2.6m | 1.9m |
| 8m | 12.21 LUX | 3.4m | 2.5m |
| 10m | 7.82 LUX | 4.3m | 3.1m |
| 12m | 5.43 LUX | 5.2m | 3.8m |

Ver.Spread:24.2
Horiz.Spread:17.8