

# INGROUND LINEAR RECESSED LIGHT

## Asymmetrical

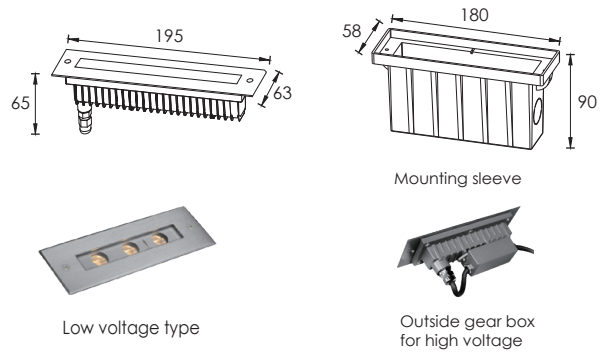


### Product Specifications

Material	12# Die-casting dark grey powder coated aluminum.T=60-80μm
Front cover	Hard chromeplated stainless steel SUS 316L#
Light Window	Tempered frosted step glass.T=8mm
Cable gland	IP68 PG-9 PA66
Glass pressure capacity	Full area=3251kgs
Gasket	Molding shaped silicone seal
PCB	Excellent heat conductivity aluminum, coefficient of heat Conductivity≥2.0w/mk
LED Driver	Constant Voltage Input,Constant Current Output
Operating temperature	-20°C – 40°C
Power Cable	H05RN-F 2X1.0mm² L=0.5m(low voltage) H05RN-F 3X1.0mm² L=0.5m(high voltage)
Mounting sleeve	ABS
Dimmable Support	Triac PWM 1-10V Dali
Warranty	3 years against manufacturing defect

### Outer Dimensions

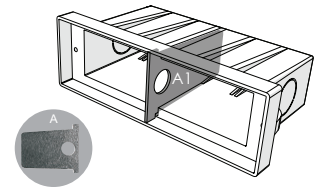
Unit:mm



### Mounting sleeve characteristic

1. The right picture – the supporting plate "A" is used for preventing deformation of the sleeve during the construction installation process.

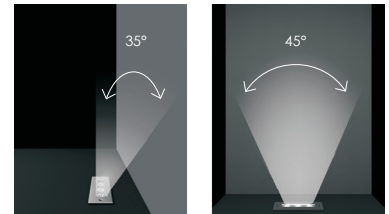
2. Please remove the supporting plate "A" from the mounting sleeve before the lamp installation.



### Lens



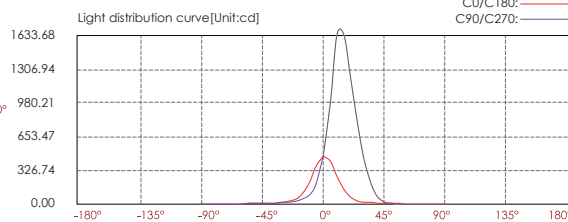
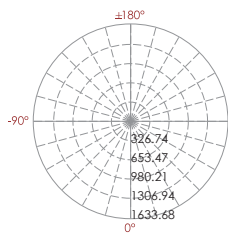
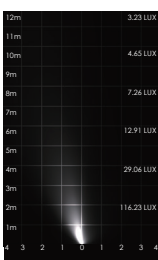
45°  
35°



### LED Colour Temperature

- 2000K
- 3000K
- 6000K

Model No.	Power (W)	Beam angle	Weight (kg)	Input voltage(V)	Typical operating current(mA)	Typical consumption(W)	Typical luminance(lm)	IP Rating
<b>LMT-IG-LNR-007</b>	3×2W	45° 35°	0.9	24V DC 120/240V AC	24V = 240 120V = 89 240V = 46	24V = 5.70 120V = 6.00 240V = 5.70	Cool white =340 Warm white =285	IP 67



Center beam LUX	Beam width V	Beam width H
2m 116.23 LUX	0.7m	0.6m
4m 29.06 LUX	1.5m	1.3m
6m 12.91 LUX	2.2m	1.9m
8m 7.26 LUX	3.0m	2.5m
10m 4.65 LUX	3.7m	3.1m
12m 3.23 LUX	4.5m	3.8m

