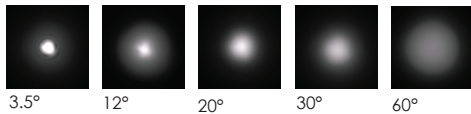


SPIKE LIGHT



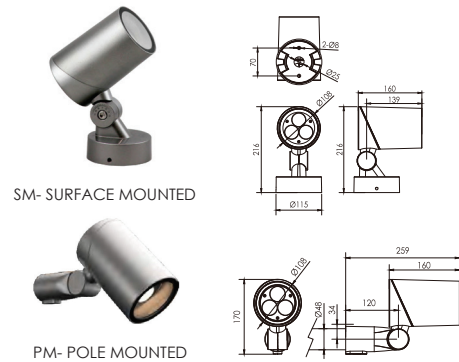
Lens



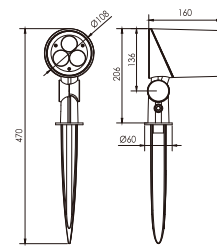
Product Specifications

Material	High Pressure Die-casting Aluminium
Light Window	7mm Thickness Tempered Glass
Operating temperature	-20°C – 50°C
Power Cable	H05RN-F 2X0.75mm² 1mtr Cable
Mounting sleeve	ABS 076#
Dimmable Support	DALI, 0-10 V
LED Chip	CREE LED
Warranty	3 years against manufacturing defect

Optional Accessories & Dimension



Outer Dimensions



LED Colour Temperature

- A 2700K
- B 3000K
- C 4000K
- D 6000K

Finishing

- Sapce Gray

Model No.	Material	Power (W)	Input voltage(V)	Beam Angle	Typical luminance(lm)	IP Rating
LMT-SP-006-12W	High Pressure Die-casting Aluminium	3X4 Watts	220-240V AC	3.5°/12°/20°/ 30°/60° 10X70° / 5X20°	1139lm	IP66
LMT-SP-006-15W	High Pressure Die-casting Aluminium	3X5 Watts	220-240V AC	3.5°/12°/20°/ 30°/60° 10X70° / 5X20°	1380lm	IP66

