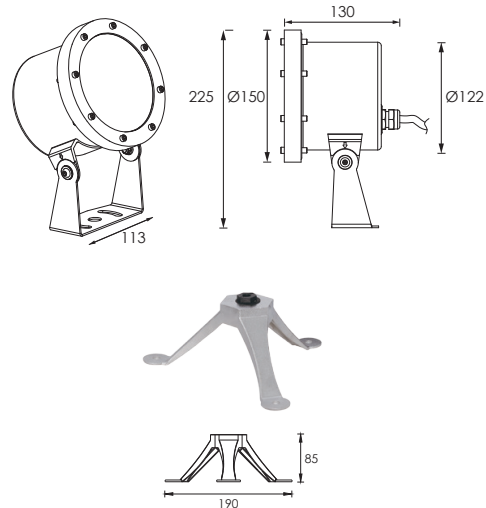


SURFACE MOUNTED UNDERWATER LIGHT



Outer Dimensions _____ Unit:mm

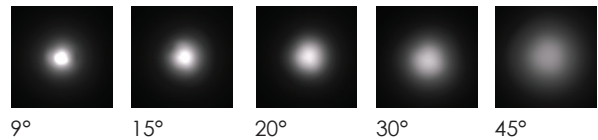


Tripod-Optional Accessory

Product Specifications

Material	Hard chromeplated molding shaped stainless steel sus 316L [#]
Light Window	PMMA 8mm
Gasket	Silicone gasket
LED	Nichia
Cable gland	IP68 PG-11 copper with nickel-coated
PCB	Excellent heat conductivity aluminum.coefficient of heatConductivity≥2.0w/mk
LED Driver	Constant Voltage Input,Constant Current Output
Power Cable	H07RN-F 2X1.0mm ² L=3.0m
Built-in Overheat Sensor System	Automatic Shutdown at 75°C
Application environment	Temperature of water between -20°C-40°C less than 1 meter depth.
Dimmable Support	Triac PWM 1-10V Dali
Warranty	3 years against manufacturing defect

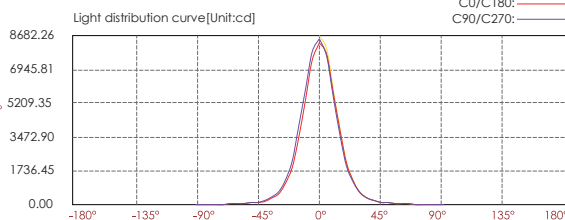
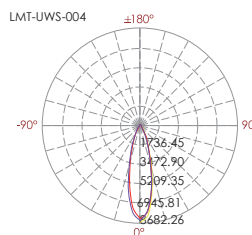
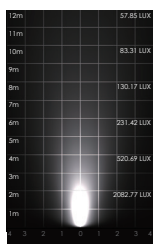
Lens



LED Colour Temperature

- 2000K
- 3000K
- 6000K

Model No.	Power (W)	Beam angle	Input voltage(V)	Typical operating current(mA)	Typical consumption(W)	Typical luminance(lm)	IP Rating
LMT-UWS-004	12x3 Watts	30°	24V DC	1600	38.4	Cool white=3031 Warm white=2668	IP68



Ver.SPread:27.3 Horiz.SPread:26.5

Distance (m)	Center beam LUX	Beam width V (m)	Beam width H (m)
2m	2082.77 LUX	1.0m	0.9m
4m	520.69 LUX	1.9m	1.9m
6m	231.42 LUX	2.9m	2.8m
8m	130.17 LUX	3.9m	3.8m
10m	83.31 LUX	4.9m	4.7m
12m	57.85 LUX	5.8m	5.6m