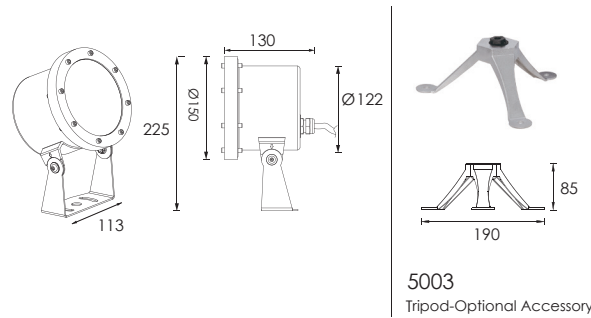


RGB SURFACE MOUNTED UNDERWATER LIGHT



Outer Dimensions Unit:mm



Product Specifications

Housing	Hard chromeplated molding shaped stainless steel SUS 316L#
Front cover	Hard chromeplated stainless steel SUS 316L#
Light Window	PMMA 8mm
Gasket	EPDM gasket
Cable gland	IP68 PG-11 copper with nickel-coated
PCB	Excellent heat conductivity aluminum.coefficient of heat Conductivity≥2.0w/mk
LED Driver	Constant Voltage Input,Constant Current Output
Power Cable	H07RN-F 4X1.0mm ² L=3.0m
Application environment	Temperature of water between -20°C-40°C less than 1 meter depth.
Built-in Overheat Sensor System	Automatic Shutdown at 75°C
LED	SMD5050 RGB 3 in 1
Warranty	3 years against manufacturing defect



Lens

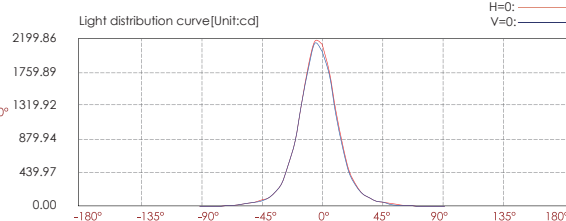
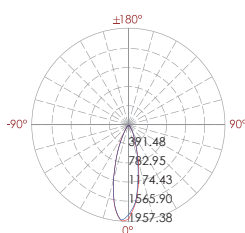
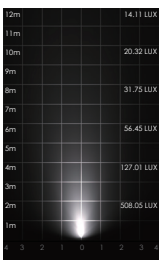


30°

LED Wave Length

- R =620-630 nm
- G =520-530 nm
- B =460-470 nm

Model No.	Power (W)	Lens	Beam angle	Input voltage(V)	Typical operating current(mA)	Typical consumption(W)	Typical luminance(lm)	IP Rating
LMT-UWS-RGB-004	6×5W RGB 3in1	B49	30°	24V DC	1600	38.4	835	IP68



Lux distance cure

Distance	Center beam LUX	Beam width V	Beam width H
2m	508.05 LUX	1.1m	1.1m
4m	127.01 LUX	2.1m	2.1m
6m	56.45 LUX	3.2m	3.2m
8m	31.75 LUX	4.3m	4.2m
10m	20.32 LUX	5.3m	5.3m
12m	14.11 LUX	6.4m	6.3m

Ver.Spread:29.9 Horiz.Spread:29.5