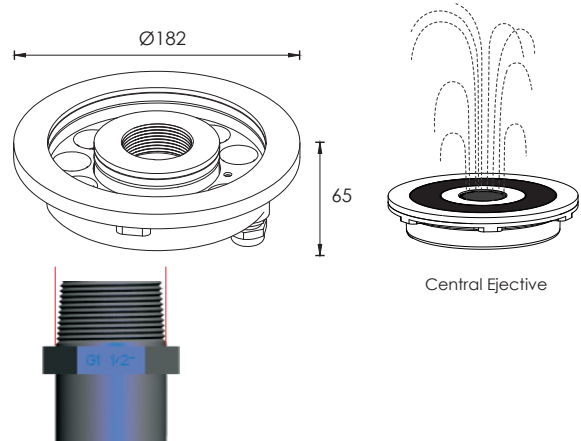


WATER FOUNTAIN LIGHT

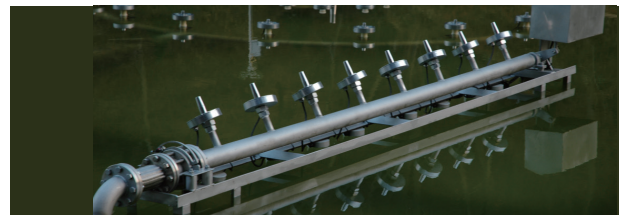


Outer Dimensions Unit:mm

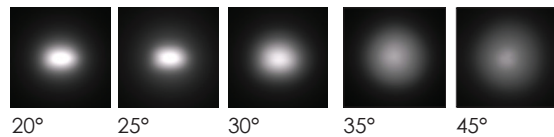


Product Specifications

Housing	Hard chromeplated molding shaped stainless steel SUS 316#
Light Window	Step tempered glass.T=10mm
Gasket	Silicone gasket
Cable gland	IP68 PG-11 copper with nickel-coated
PCB	Excellent heat conductivity aluminum.coefficient of heat Conductivity≥2.0w/mk
LED Driver	Constant Voltage Input,Constant Current Output
Power Cable	H07RN-F 2X1.0mm ² L=3.0m
Application environment	Temperature of water between -20°C-40°C less than 1 meter depth.
Built-in Overheat Sensor System	Automatic Shutdown at 75°C
Dimmable Support	Triac PWM 1-10V Dali
Warranty	3 years against manufacturing defect



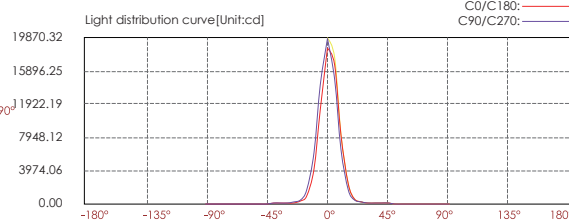
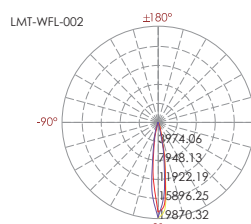
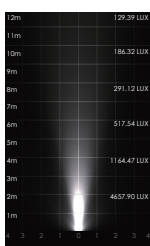
Lens



LED Colour Temperature

- 2000K
- 3000K
- 6000K

Model No.	Power (W)	Beam angle	Input voltage(V)	Typical operating current(mA)	Typical consumption(W)	Typical luminance(lm)	IP Rating
LMT-WFL-002	12x2 Watts	25°	24V DC	1200	28.8	Cool white=2067 Warm white=1610	IP68



Lux distance curve

Center beam LUX	Beam width V	H
2m 4657.90 LUX	0.5m	0.5m
4m 1164.47 LUX	1.1m	1.0m
6m 517.54 LUX	1.6m	1.6m
8m 291.12 LUX	2.2m	2.1m
10m 186.32 LUX	2.7m	2.6m
12m 129.39 LUX	3.3m	3.1m

Ver.Spread:15.7 Horiz.Spread:15.0