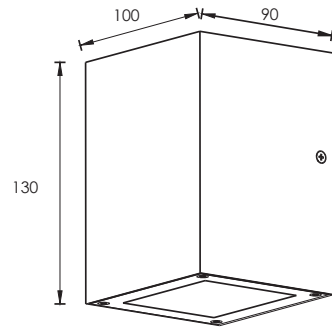


# Outdoor WALL MOUNTED LIGHT



Outer Dimensions \_\_\_\_\_ Unit:mm



Double side



Finish \_\_\_\_\_



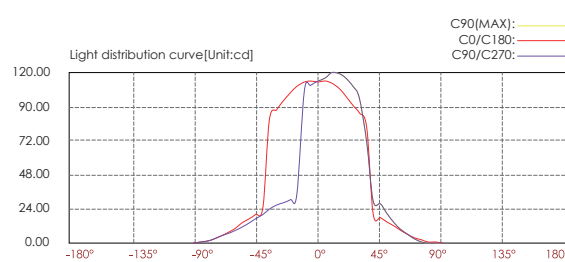
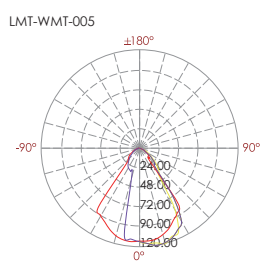
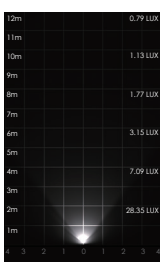
Product Specifications \_\_\_\_\_

Material	12# Die-casting dark grey powder coated aluminum. T=60-80µm. Adhesion of ISO class 1/ASTM class 4B
Light Window	PC T=6mm
Gasket	Tooling shaped seal
Driver	Main voltage 100V-240V driver inside builded
Operating temperature	-20°C ~ 45°C
Power Cable	H05RN-F 2×1.0mm <sup>2</sup> L=0.3m (low voltage) H05RN-F 3×1.0mm <sup>2</sup> L=0.3m (high voltage)
Warranty	3 years against manufacturing defect

LED Colour Temperature

- A 2000K
- B 3000K
- C 6000K

Model No.	Power (W)	Beam angle	Input voltage(V)	Typical operating current(mA)	Typical consumption(W)	Typical luminance(lm)	IP Rating
<b>LMT-WMT-005</b>	2×3 Watts NICHIA	_____	24V DC/ 120/240V AC	24V = 268 120V = 138 240V = 73	24V = 6.20 120V = 8.80 240V = 8.60	2×1.55	IP65



Distance (m)	Center beam LUX	Beam width V	H
2m	28.35 LUX	1.8m	3.0m
4m	7.09 LUX	3.7m	6.0m
6m	3.15 LUX	5.5m	9.0m
8m	1.77 LUX	7.4m	12.0m
10m	1.13 LUX	9.2m	15.0m
12m	0.79 LUX	11.1m	18.0m

Ver.Spread:49.5 Horiz.Spread:73.8