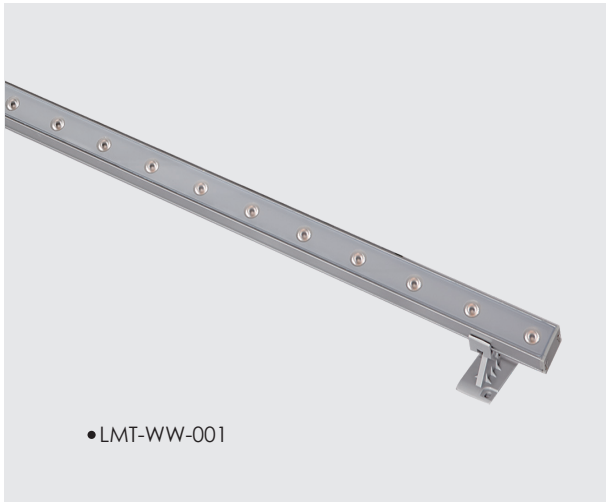
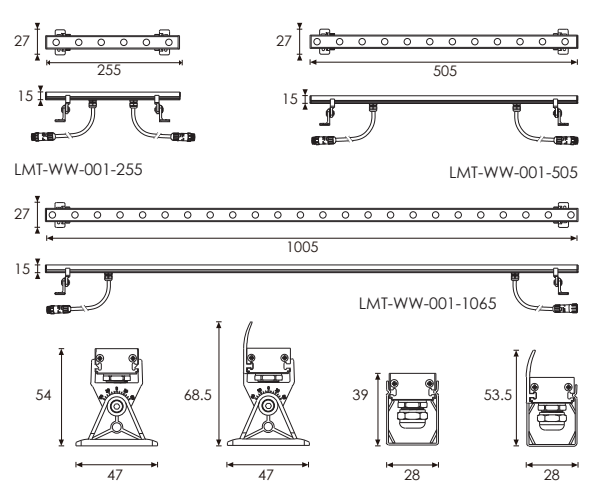


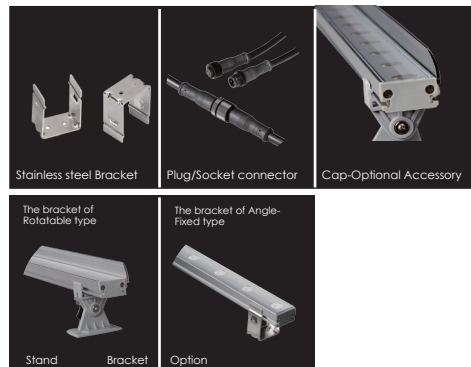
WALL WASHER LIGHT



Outer Dimensions



Optional Parts



Product Specifications

Housing	Aluminum extrusion #6061, finish: Anodized or Painting.
Bracket	Nylon Rotatable type bracket or Stainless steel Angle-Fixed type bracket
Light Window	Tempered glass T=2mm ² with printing.
Cable gland	Copper PG-7 IP65
Power cable	H03VV-F 2X0.75mm ² L=20 cm With Plug/Socket connector MAX capacity of Current=5A
Dimmable Support	Triac PWM 1-10V Dali
Warranty	3 years against manufacturing defect

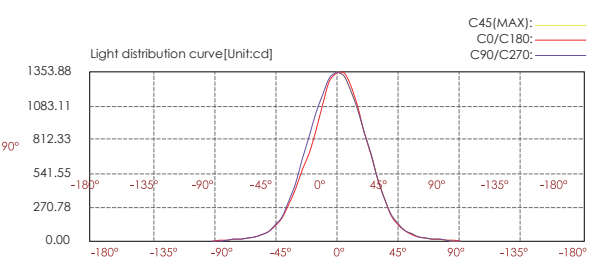
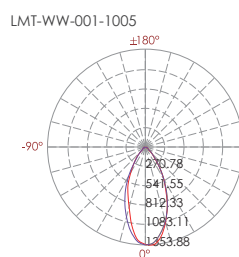
LED Colour Temperature

- A 2000K
- B 3000K
- C 6000K

Lens

30° 40°

Model No.	Power (W)	Length L=(mm)	Beam angle	Input voltage(V)	Typical operating current(mA)	Typical consumption(W)	Typical luminance(lm)	IP Rating
LMT-WW-001-255	6×0.5W NICHIA	255	40°	24V DC	152	3.6	Cool white=320 Warm white=289	IP 65
LMT-WW-001-505	12×0.5W NICHIA	505	40°	24V DC	305	7.30	Cool white=557 Warm white=510	IP 65
LMT-WW-001-1005	24×0.5W NICHIA	1005	40°	24V DC	611	14.7	Cool white=1114 Warm white=1020	IP 65



Ver. Spread: 49.7 Horiz. Spread: 46.2

Center beam LUX	Beam width V	Beam width H
2m	1.80m	1.70m
4m	3.70m	3.40m
6m	5.50m	5.10m
8m	7.40m	6.80m
10m	9.20m	8.50m
12m	11.1m	10.2m